



DS-KIS202

Video Door Phone

Key Features

Door Station

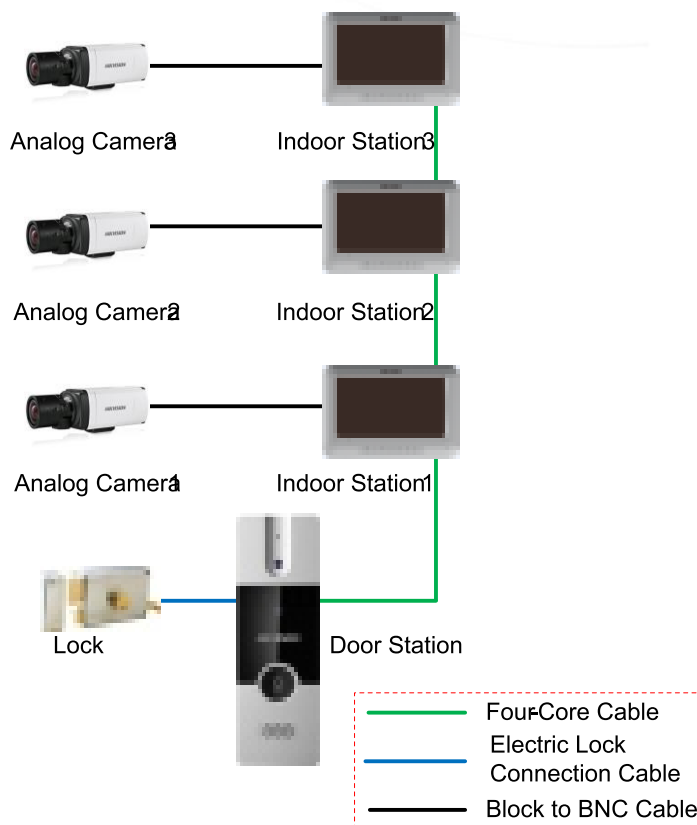
- ò Selfadaptive IR supplement
- ò One-touch calling
- ò Pinhole camera with 720 x 576 @ 25 fps
- ò Unlock controlling



Indoor Station

- ò Handsfree video intercom communication
- ò Supports monitoring the door station and the external analog camera
- ò Remote unlocking
- ò Convenient installation and easy operation

Typical Application

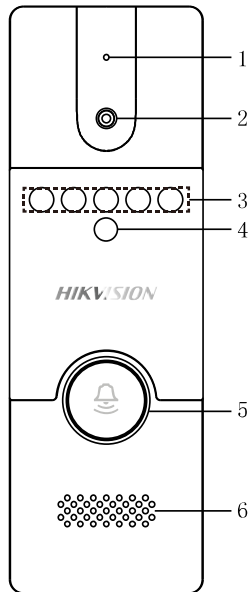


## Specifications

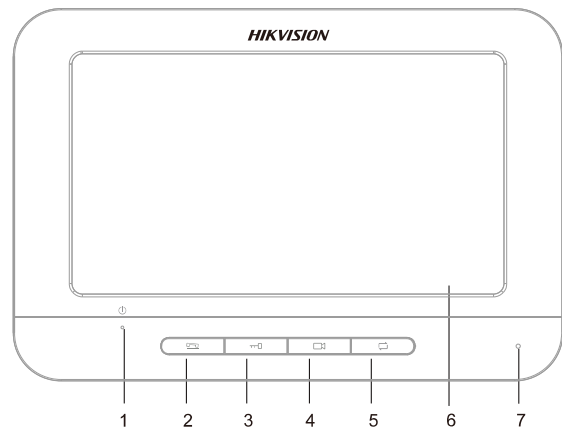
<b>Video Door Phone Model</b>	<b>DS-KIS202</b>
<b>Door Station (DS-KB2411-IM)</b>	
<b>Video Parameters</b>	
Camera	1/4" CMOS
Resolution	720 × 576
Video frame rate	PAL: 25 fps
<b>Audio parameters</b>	
Audio input	Built-in Omnidirectional Microphone
Audio output	Built-in Loudspeaker
Audio quality	Noise Suppression and Echo Cancellation
<b>Light Supplement</b>	
Light supplement mode	Photosensitive IR Supplement, IR Range: 2 Meters
<b>Device interfaces</b>	
Four-wire interface	1 Four-Wire Interface (1-ch Video Input, 1-ch Audio Input/Output, 1-ch Power Supply, 1-ch Grounding)
IO output	1 Relay Output
<b>General</b>	
Material	Aluminum Alloy
Power consumption	Max. 3W
Working temperature	-30°C to +60°C ( -22°F to 140°F)
Working humidity	10% to 90%
Dimension (L x W x H)	128 mm × 42 mm × 24.8 mm (5.0" × 1.7" × 0.9")
<b>Indoor Station (DS-KH2220)</b>	
<b>Display parameters</b>	
Display screen	7-Inch Colorful TFT LCD
Display resolution	800 × 480
Operation method	Physical Button
<b>Audio parameters</b>	
Audio input	Built-in Omnidirectional Microphone
Audio output	Built-in Loudspeaker
Audio quality	Noise Suppression and Echo Cancellation
<b>Device interfaces</b>	
Four-wire interface	4 Four-Wire Interfaces
	1-ch Video Input, 1-ch Audio Input/Output, 1-ch Power Supply, 1-ch Grounding
<b>General</b>	
Power supply	12 VDC
Power consumption	≤ 5 W
Working temperature	-10°C to + 55°C (14°F to 131°F)
Working humidity	10% to 90%
Dimension (L x W x H)	195.8 mm × 132.8 mm × 18.39 mm (7.7" × 5.2" × 0.7")

## Appearance and Interfaces

**DoorStation**



**Indoor Station**



Index	Description
1	Microphone
2	Built-in Camera
3	Supplement Light
4	Photoresistor
5	Call Button
6	Loudspeaker

Index	Description
1	Power Supply Indicator
2	Call Accept/Decline Key
3	Unlock Key
4	Live View Key
5	Switch Key
6	LCD Display Screen
7	Microphone